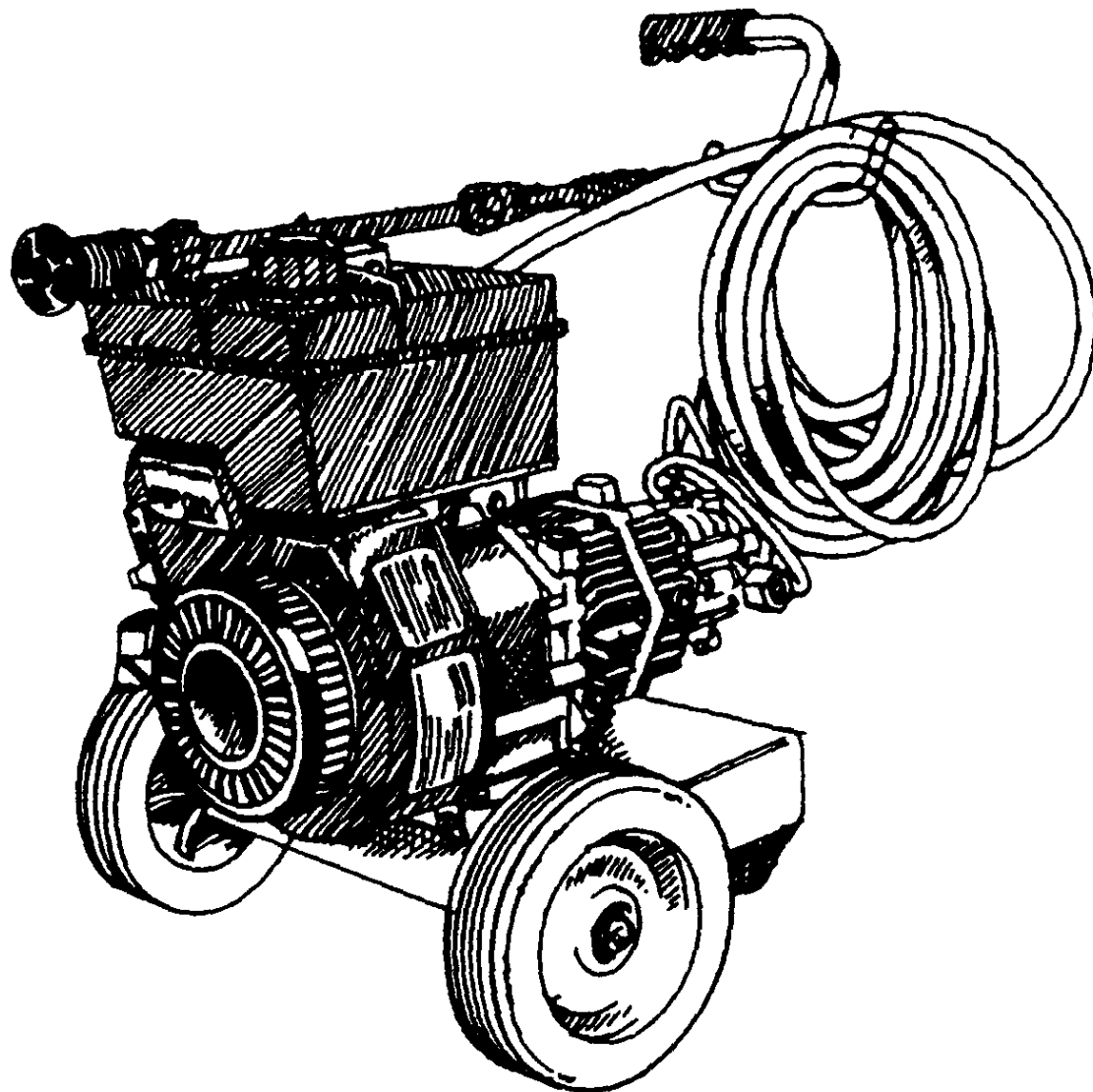


Mfg. No: 0502-0  
580.742500, 1,900 PSI (Rev 1 5/8/96)  
Craftsman





---

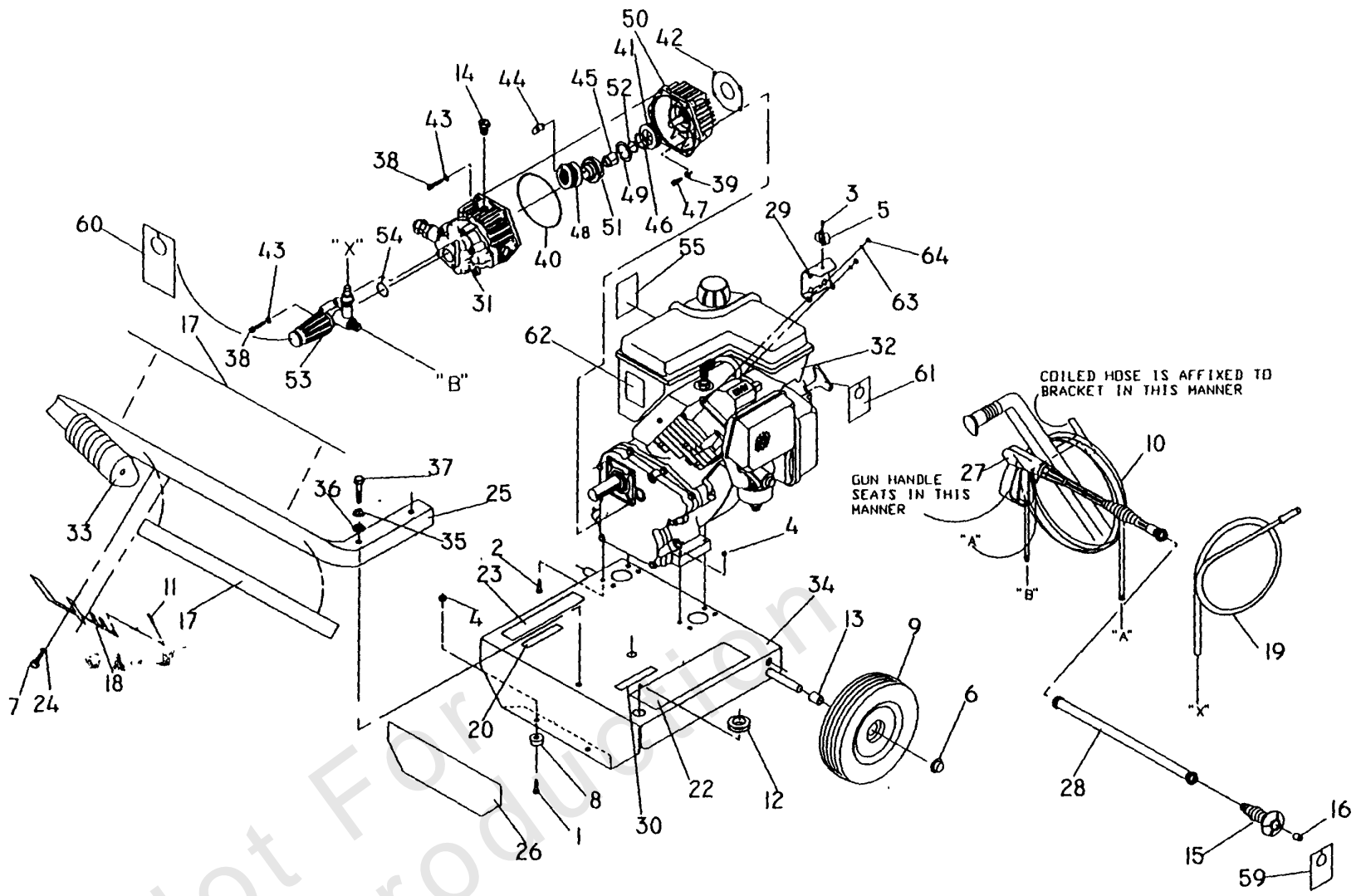
<b>Model Components</b>	<b>Page</b>
Repair Parts Drawing No. 97332.....	4
Repair Parts Drawing No. 97985.....	8
Rewind Starter No. 590736.....	12
Torque Specification Chart.....	14

Not For  
Reproduction

# Repair Parts Drawing No. 97332

Note: Unless noted otherwise, use the standard torque specifications

Mfg. No: 0502-0



Not For Reproduction

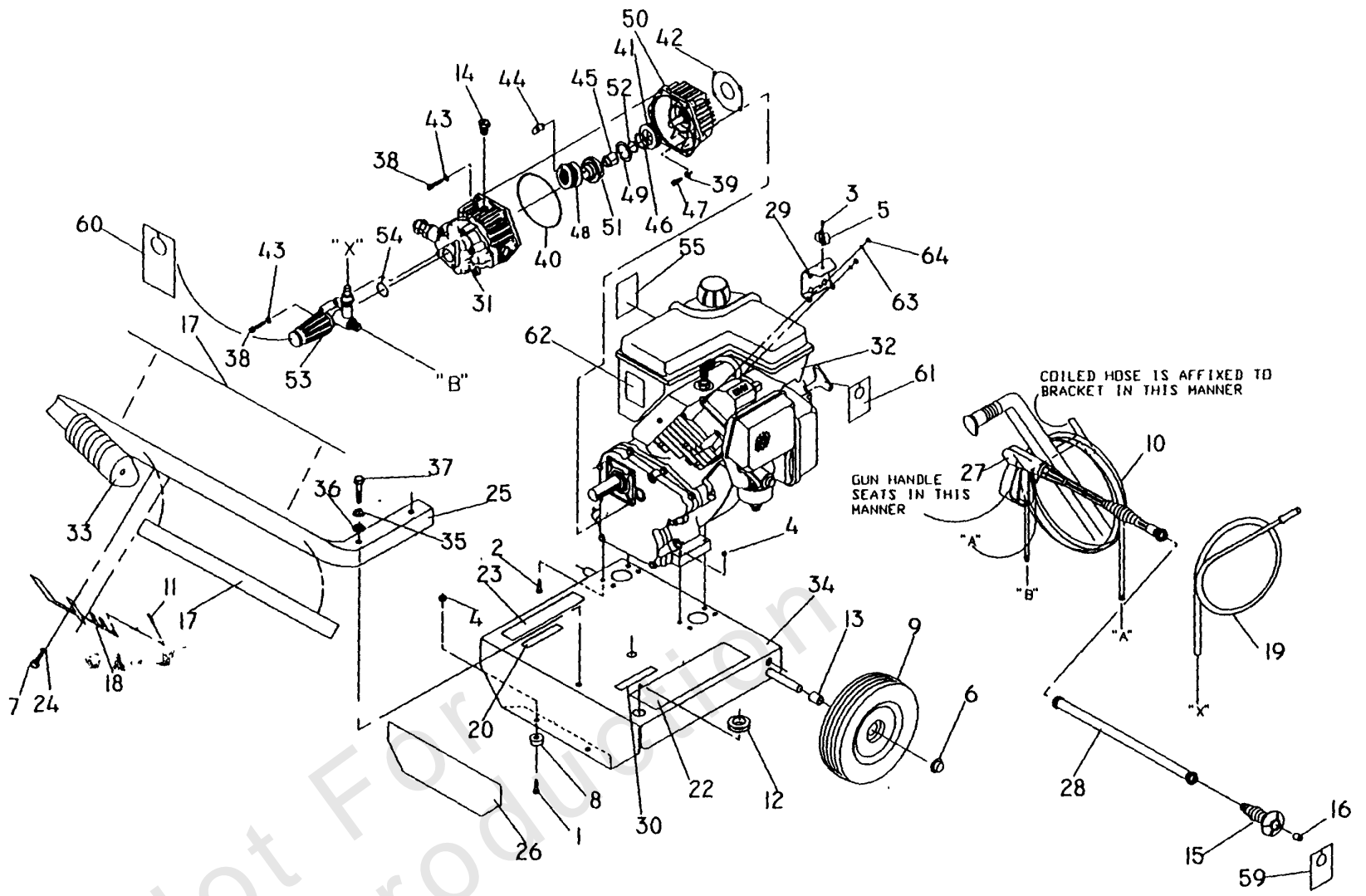
## Repair Parts Drawing No. 97332

REF NO	PART NO	QTY	DESCRIPTION
1	39253	2	M8-1.25 x 20mm Capscrew
2	39414	4	M8-1.25 x 35mm Capscrew
3	45764	3	M4-0.7 x 8mm
4	52858	6	M8-1.25 Locking Nut
5	65852	1	Spring Clip
6	75402	2	Pushnut
7	86292	2	#10-Self-drilling Screw
8	87841	2	Vibration Mount
9	91094	2	Wheel
10	97917	1	3/8" I.D., 3/8" NPT Hose
11	92067	1	Vinyl Cap
12	92235	1	Grommet for Turbo Nozzle
13	92272	2	Spacer
14	95454	1	Oil Fill Cap and Breather
15	95587B	1	Nozzle
16	92659	1	Nozzle (replacement)
17	95905	1	Water Warning Decal
18	95908	1	Gun and Hose Support
19	96168	1	Chem. Injection Hose Assm.
20	96307	1	Decal-Sears 1-800 #
21	96312	1	Decal-Pressure Adjustment
22	96412	1	Decal-Danger
23	96415	1	Decal-Caution Inst.
24	96633	2	Flat Washer
25	96894	1	Handle
26	97112	1	Decal-Sears logo
27	97117	1	Spray Gun
28	97123	1	18" Spray Gun Extension
29	97143		Gun Bracket
30	-----	2	1/4" Shakeproof Lock Washer
31	97240B	1	Pump Head Assembly
32	97360	1	Craftsman Engine
33	97612	1	Fingered Handle Grip
34	97757A	1	Uni-base Plate
35	22129	2	5/16" [M8] Lock Washer
36	50190	2	Flat Washer
37	57821	2	M8-1.25 x 40mm Capscrew
38	40945	9	M6-1.0 x 20mm
39	92479	4	M8 Ribbed Lock Washer
40	93790	1	114 x 119 x 2.6 O-ring
41	93869	1	Thrust Bearing
42	93871		Engine Adaptor Gasket
43	93873	9	M6 Ribbed Lock Washer
44	94944	3	Piston Pivot Shoe
45	95435	1	Hex Straight Shaft Adapter
46	95524	1	Push On Retainer
47	95531	4	5/16"-24 x 3/4" Capscrew
48	96542	1	Roller Thrust Bearing
49	97570	1	Thrust Washer
50	97583	1	Mach. Adaptor GPW
51	97672	1	Axial Cam, 2.5 gpm

# Repair Parts Drawing No. 97332

Note: Unless noted otherwise, use the standard torque specifications

Mfg. No: 0502-0



Not For Reproduction

## Repair Parts Drawing No. 97332

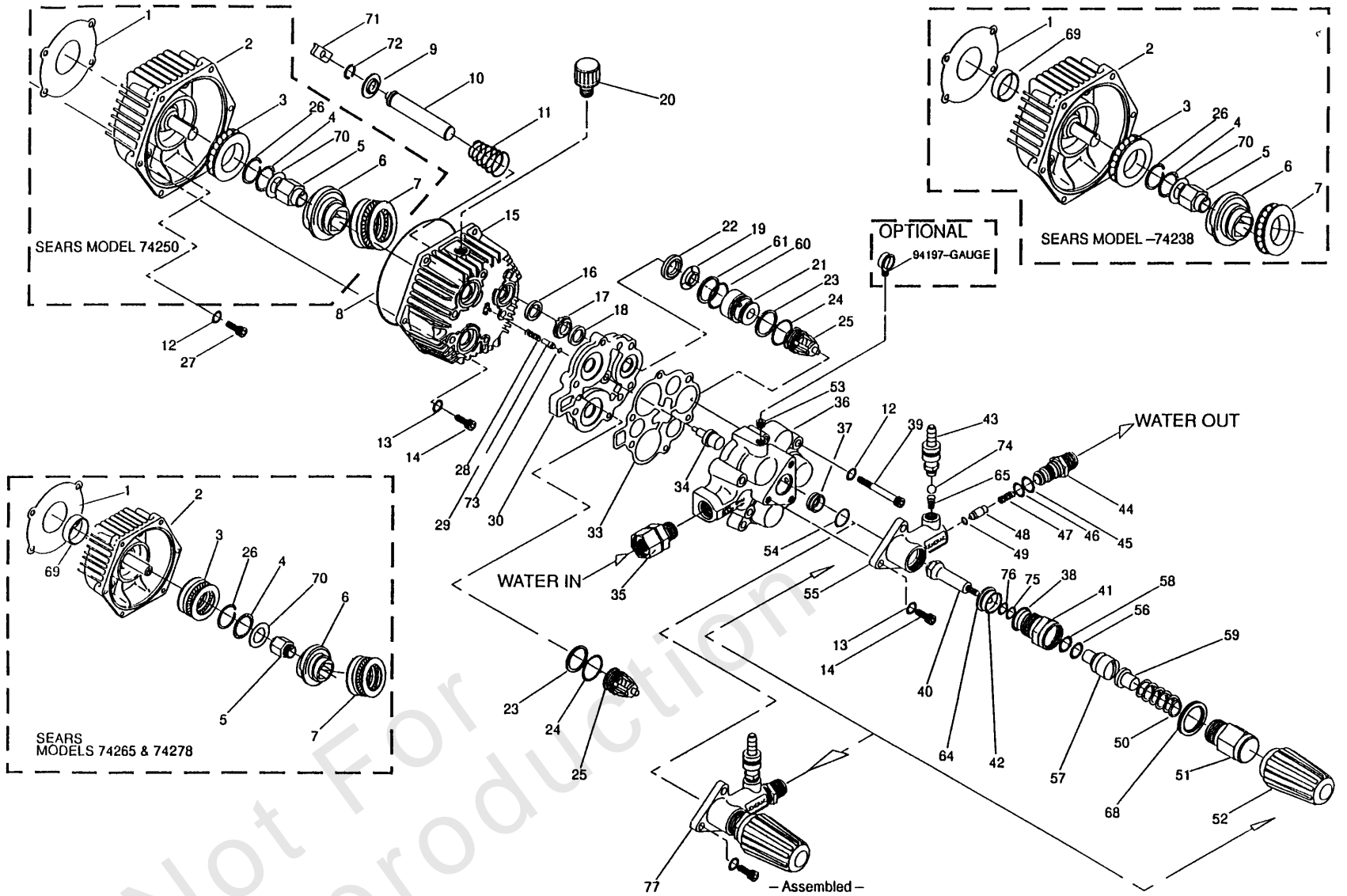
REF NO	PART NO	QTY	DESCRIPTION
52	97675	1	C-ring Cam Retainer
53	95212A	1	Unloader Assembly
54	93723	1	O-ring 20 x 25 x 2.6
55	98493	1	Decal-Equipped with LOS
56	97098	1	Cap, Garden Hose Inlet
57	97099	1	Chemical Injection Cap
58	97100	1	High Pressure Adapter Cap
59	97566	1	Nozzle Instruction Tag
60	97054	1	Pressure Adjustment Tag
61	70453	1	Oil Warning Tag
62	87910	1	Decal-Equipped with LOS
63	22127	2	1/4"-20 Hex Nut
64	-----		UNKNOWN
--	198347GS	1	REPLACEMENT PUMP ASSEMBLY

Not For Reproduction

# Repair Parts Drawing No. 97985

Note: Unless noted otherwise, use the standard torque specifications

Mfg. No: 0502-0



Not For  
Reproduction



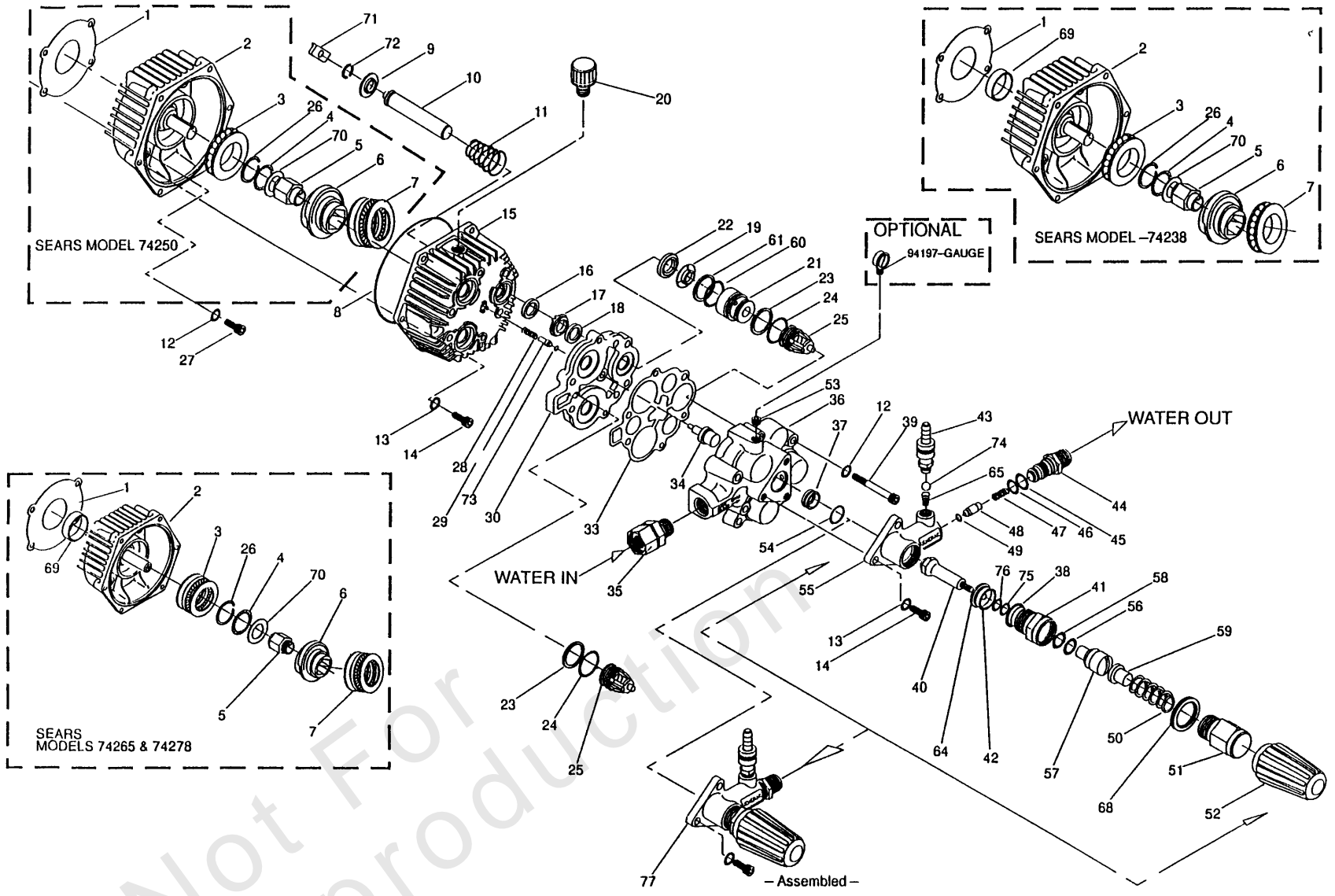
## Repair Parts Drawing No. 97985

REF NO	PART NO	QTY	DESCRIPTION
1	93871	1	Engine Adaptor Gasket
2	97583	1	Engine Adaptor
3	96542	1	Thrust Ball Bearing
4	95524	1	Retainer Washer
5	97673	1	Engine Adaptor
6	96865	1	Axial Cam
7	97606	1	Thrust Roller Bearing
8	93790	1	114 x 119 x 2.6 O-ring
9	95386	3	Piston Spring Retainer
10	95217	3	Piston, D15 S.S.
11	96400	3	Piston Return Spring
12	92479	10	M8 Ribbed Lock Washer
13	93873	9	M6 Ribbed Lock Washer
14	40945	7	M6 x 1.0 x 20mm Capscrew
15	97568	1	Aluminum Crankcase
16	93680	3	Piston Oil Seal
17	93668	3	Pilot Spacer
18	93667	3	Seal
19	96015	3	Bearing Ring Seal
20	95454	1	Oil Fill/Breather
21	97027	3	High Pressure Port Tower
22	96053	3	High Pressure Seal [black]
23	95504	1	Back-up Ring
24	95503	6	O-Ring 2.62 x 17.12mm
25	97128	6	Valve Check Kit
26	97675	1	Cam Driver Retainer
27	23707	4	5/16"-24 x 1" Bolt
28	93652	1	Thermal By-pass Spring
29	95416	1	By-pass Piston
30	97122	1	Spacer Plate
33	93645	1	Head Gasket
34	93644	1	Thermal By-pass Actuator
35	95320	1	Garden Hose Connector
36	95138	1	Cylinder Head-brass
37	95382	1	Spindle Seat
38	93722	2	O-Ring, 0.68 X 0.81 x 0.06
39	93874	6	M8-1.25 x 75mm Capscrew
40	95373	1	Unloader Assembly Spindle
41	95367	1	Unloader Piston Guide
42	95372	1	O-ring 1.78 x 14mm
43	95378	1	Chemical Injector Fitting
44	95377	1	High Pressure Outlet Adaptor
45	93788	1	O-ring 1.78 x 12.4mm
46	93787	1	O-ring 1.78 x 15.6mm
47	95376	1	Spring
48	95374	1	High Pressure Outlet Piston
49	95375	1	O-ring, #2.4 x 4.3
50	95384	1	Pressure Adjust Spring
51	95364B	1	Pressure Adjust Adaptor with groove
52	95381B	1	Pressure Adjust Handle [red)
53	96137	1	1/8" NPT Pipe Plug

# Repair Parts Drawing No. 97985

Note: Unless noted otherwise, use the standard torque specifications

Mfg. No: 0502-0



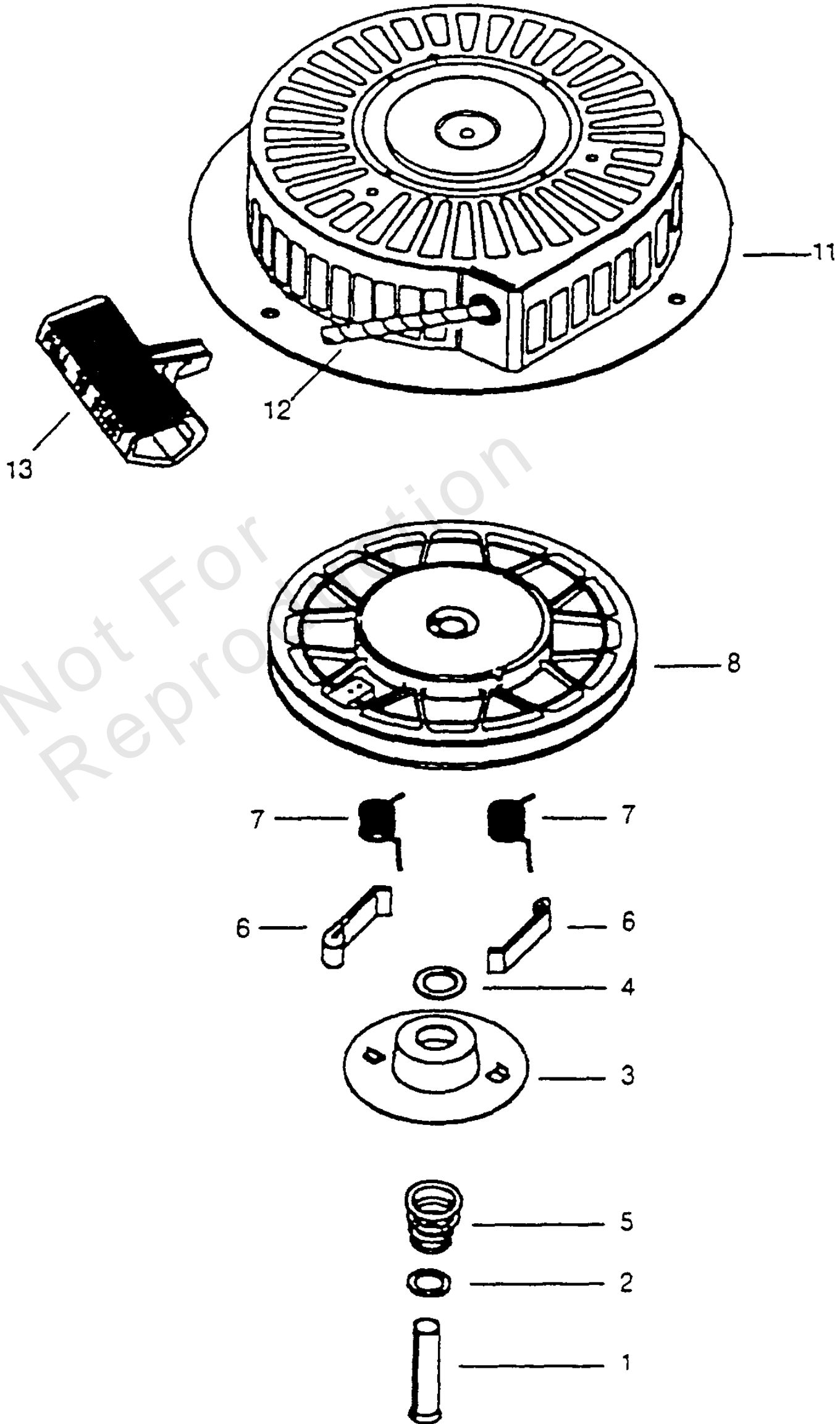
## Repair Parts Drawing No. 97985

REF NO	PART NO	QTY	DESCRIPTION
54	93723	1	"O" Ring 2.6 x 20.2
55	95216	1	Pressure Relief Valve Body
56	95369	1	Back-up O-ring 11 x 12.4
57	95368	1	Unloader Piston
58	95370	1	O-ring 1.78 x 7.65
59	95363	1	Spring Support
60	96069	3	Quad-Ring 0.09 x 1.06"
61	95506	3	Back-up Ring
64	95371	1	Piston Support O-ring
65	95380	1	Chemical Injector Spring
68	95366	1	M18 x 1.0 Nut
69	95441	1	Engine Adaptor Sleeve
70	97570	1	Thrust Washer
71	94944	3	Piston Pivot Shoe
72	94284	3	"C" Ring Retainer
73	93876	1	O-Ring, 0.12 x 0.25 x 0.6
74	95379	1	Ball
75	93656	1	O-Ring 1.78 x 6.07
76	93657	1	Back-up Ring 1.24 x 6.7
77	95212B	1	Unloader Assembly
94197	94197		Gauge -Optional

# Rewind Starter No. 590736

Note: Unless noted otherwise, use the standard torque specifications

Mfg. No: 0502-0



## Rewind Starter No. 590736

REF NO	PART NO	QTY	DESCRIPTION
1	590599A	1	PIN, SPRING -Included item No. 4
2	590600	1	WASHER
3	590696	1	RETAINER
4	590601	1	FILTER, A/C Cartridge
5	590697	1	NUT
6	590698	2	TUBE, Breather
7	590699	2	SPRING, DOG
8	590700	1	PULLEY AND REWIND SPRING ASSEMBLY
11	590687	1	HOUSING ASSEMBLY, STARTER
12	590535	1	ROPE, STARTER
13	590701	1	HANDLE ASSEMBLY, STARTER

Not For Reproduction

# Hardware Identification & Torque Specifications

Torque Specification Chart								
FOR STANDARD METRIC MACHINE HARDWARE (Tolerance ± 20%)								
Property Class	5.6		8.8		10.9		12.9	
	Class 5.6		Class 8.8		Class 10.9		Class 12.9	
Size Of Hardware	in/lbs	Nm.	in/lbs	Nm.	in/lbs	Nm.	in/lbs	Nm.
	ft/lbs		ft/lbs		ft/lbs		ft/lbs	
M3	5.88	.56	13.44	1.28	19.2	1.80	22.92	2.15
M4	13.44	1.28	30.72	2.90	43.44	4.10	52.56	4.95
M5	26.4	2.50	60.96	5.75	5.97	8.10	7.15	9.7
M6	44.64	4.3	7.3	9.9	10.3	14	12.1	16.5
M7	5.2	7.1	12.1	16.5	16.9	23	19.9	27
M8	7.7	10.5	17.7	24	25	34	29	40
M10	15	21	35	48	50	67	59	81
M12	26	36	61	83	86.2	117	103	140
M14	42	58	101	132	136	185	162	220
M16	64	88	147	200	210	285	250	340
M18	89	121	202	275	287	390	346	470
M20	126	171	290	390	405	550	486	660
M22	169	230	390	530	559	745	656	890
M24	217	295	497	375	708	960	840	1140
M27	320	435	733	995	1032	1400	1239	1680
M30	435	590	995	1350	1401	1900	1681	2280
M33	590	800	1349	1830	1902	2580	2278	3090
M36	759	1030	1740	2360	2441	3310	2935	3980
M39	988	1340	2249	3050	3163	4290	3798	5150

Torque Specification Chart						
FOR STANDARD MACHINE HARDWARE (Tolerance ± 20%)						
Hardware Grade	No Marks		SAE Grade 5		SAE Grade 8	
	SAE Grade 2		SAE Grade 5		SAE Grade 8	
Size Of Hardware	in/lbs	Nm.	in/lbs	Nm.	in/lbs	Nm.
	ft/lbs		ft/lbs		ft/lbs	
8-32	19	2.1	30	3.4	41	4.6
8-36	20	2.3	31	3.5	43	4.9
10-24	27	3.1	43	4.9	60	6.8
10-32	31	3.5	49	5.5	68	7.7
1/4-20	66	7.6	8	10.9	12	16.3
1/4-28	76	8.6	10	13.6	14	19.0
5/16-18	11	15.0	17	23.1	25	34.0
5/16-24	12	16.3	19	25.8	29	34.0
3/8-16	20	27.2	30	40.8	45	61.2
3/8-24	23	31.3	35	47.6	50	68.0
7/16-14	30	40.8	50	68.0	70	95.2
7/16-20	35	47.6	55	74.8	80	108.8
1/2-13	50	68.0	75	102.0	110	149.6
1/2-20	55	74.8	90	122.4	120	163.2
9/16-12	65	88.4	110	149.6	150	204.0
9/16-18	75	102.0	120	163.2	170	231.2
5/8-11	90	122.4	150	204.0	220	299.2
5/8-18	100	136	180	244.8	240	326.4
3/4-10	160	217.6	260	353.6	386	525.0
3/4-16	180	244.8	300	408.0	420	571.2
7/8-9	140	190.4	400	544.0	600	816.0
7/8-14	155	210.8	440	598.4	660	897.6
1-8	220	299.2	580	788.8	900	1,244.0
1-12	240	326.4	640	870.4	1,000	1,360.0

The guides and ruler furnished below are designed to help you select the appropriate hardware.

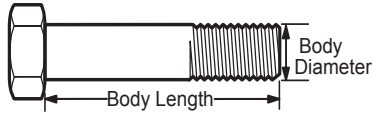


Nut, M8

Thread Diameter (mm)

Inside Diameter (in)      Threads per inch

Nut, 1/2-16



Screw, M8- 1.25 x 25

Thread Diameter (mm)      Distance between threads (mm)      Body Length (mm)

Body Diameter      Threads per inch      Body Length (in)

Screw, 1/2- 16 x 2



## Standard Hardware Sizing

When a washer or nut is identified as 1/2" (M8), this is the *Nominal size*, meaning the *inside diameter* is 1/2 inch (8mm metric thread diameter); if a second number is present it represents the *threads per inch* (distance between threads).

When bolt or capscrew is identified as 1/2 - 16 x 2" (M8 - 1.25 x 50), this means the *Nominal size*, or body diameter is 1/2 inch (8mm metric thread diameter), the second number, 16, represents the *threads per inch*, (*distance between threads*). The final number is the body length of the bolt or screw, 2 inches (50mm).

## NOTES

- These torque values are to be used for all hardware excluding: locknuts, self-tapping screws, thread forming screws, sheet metal screws and socket head setscrews.
- Recommended seating torque values for locknuts:
  - for prevailing torque locknuts - use 65% of grade 5 torques.
  - for flange whizlock nuts and screws - use 135% of grade 5 torques.
- Unless otherwise noted on assembly drawings, all torque values must meet this specification.

## Common Hardware Types

Hex Head Capscrew



Washer



Carriage Bolt



Hex Nut

## Wrench & Fastener Size Guide

1/4" Bolt or Nut Wrench—7/16"	5/16" Bolt or Nut Wrench—1/2"	3/8" Bolt or Nut Wrench—9/16"	7/16" Bolt or Nut Wrench (Bolt)—5/8" Wrench (Nut)—11/16"	1/2" Bolt or Nut Wrench—3/4"
M6 Bolt or Nut Wrench—10mm	M8 Bolt or Nut Wrench—13mm	M10 Bolt or Nut Wrench—17mm	M12 Bolt or Nut Wrench—19mm	M14 Bolt or Nut Wrench—22mm

**CRAFTSMAN®**